

OUTDOOR LED SECURITY LIGHT

IMPORTANT SAFETY INFORMATION

This Outdoor LED Security Light cannot be used with dimmers, timers or on multiple switch circuits.

This fixture is designed for outdoor use only. This fixture must be wall or eave mounted onto a standard junction box that is approved for wet/outdoor locations. Minimum mounting height is 4ft. above ground.

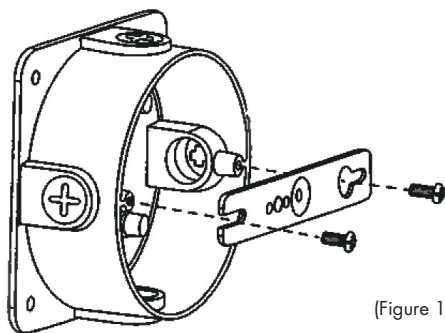
WARNING

Use only with copper or copper-clad wire. Install in accordance with all appropriate electrical codes and requirements. Before undertaking any work on the circuit, always turn power off at the panel by switching circuit breaker to **OFF** or by removing fuse. Install only on a single pole circuit.

INSTALLATION INSTRUCTIONS

DISCONNECT POWER AT YOUR BREAKER PANEL OR FUSE BOX BEFORE STARTING INSTALLATION OF THIS FIXTURE.

- 1 Mount crossbar plate to the junction box using the screws provided, see **Figure 1**.

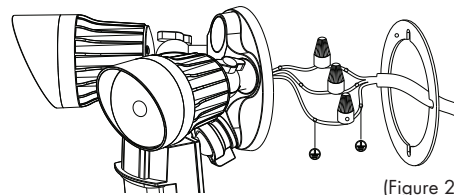


- 2 Connect the GREEN fixture ground wire to the GREEN or BARE copper ground wire or ground screw from your junction box using the supplied wire connector.
- 3 Connect the WHITE wire from the fixture to the WHITE wire from the junction box using the supplied wire connector.
- 4 Connect the BLACK wire from the fixture to the BLACK wire from the junction box using the supplied wire connector.
- 5 Carefully tuck all wires back into junction box.
- 6 Position the LED fixture over the crossbar plate and secure with the supplied mounting screw.
- 7 Insert the rubber cap (supplied) when fixture is secured.

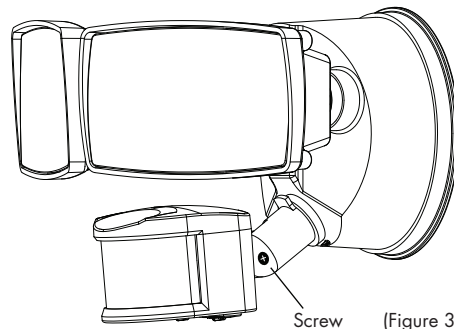
CAUTION:

MAKE SURE THE LIGHT CONTROL IS NOT UPSIDE DOWN.

If not, light control could be damaged by precipitation (rain/snow), see **Figure 2**.



- 8 Adjust lamp heads using knobs.
NOTE: Aim lamp heads at least 20 degrees down in order to prevent water from accumulating inside the lens. Adjust light control head position using screw, see **Figure 3**.



- 9 Restore power and check the operations of the LED Security Light fixture.

TEST FIXTURE

Test fixture and motion detection by walking across the detection zone within the set range.

Aim the motion sensor at the area you want to detect.

Set the "DISTANCE" switch to "H", "M" or "L" position (any one will work).

"H" distance is 16m, "M" is 12m, "L" is 5-6m.

Adjust "TIME" switch to "TEST" to disable the photocell and allow light to come on during the day. It will activate only the motion detection which will automatically turn off 5 seconds once motion stops.

Usage instructions are continued below.

If this fixture fails to operate properly:

- Verify that power is turned on at switch and breaker/fuse.
- Verify that fixture is properly wired.
- Verify that voltage is correct (120V).
- Verify that SETTINGS have been adjusted accordingly of the LED Security Light.

SETTING THE DUAL FUNCTION LIGHT CONTROL

MOTION DETECTION mode

Motion detection mode automatically activates the light when motion is detected within a pre-set range. It will only activate when dark and will not turn on when there is ambient light (daylight).

"H" distance is 16m, "M" is 12m, "L" is 5-6m.

Set "DISTANCE" switch to the range you would like the security light to detect movement within. Then set the "TIME" switch for the length of time the light will stay on ("1Min", "3Min" or "10Min") after movement is detected.

DUSK-TO-DAWN mode

Dusk-to-dawn mode will automatically activate the light once the ambient light (daylight) falls below a certain level (dusk). The light will stay on for the duration of the night and will automatically shut off at dawn (daylight).

Set the "DISTANCE" switch to D2D position, and set "TIME" switch to "1Min", "3Min" or "10Min" (can be anyone of them).

MANUAL mode (Always-ON mode)

Manual mode controls the light by a light switch rather than the dual function light control.

Adjust the "DISTANCE" switch to D2D position and adjust "TIME" switch to "TEST" position. This will put it into "Manual override" mode.